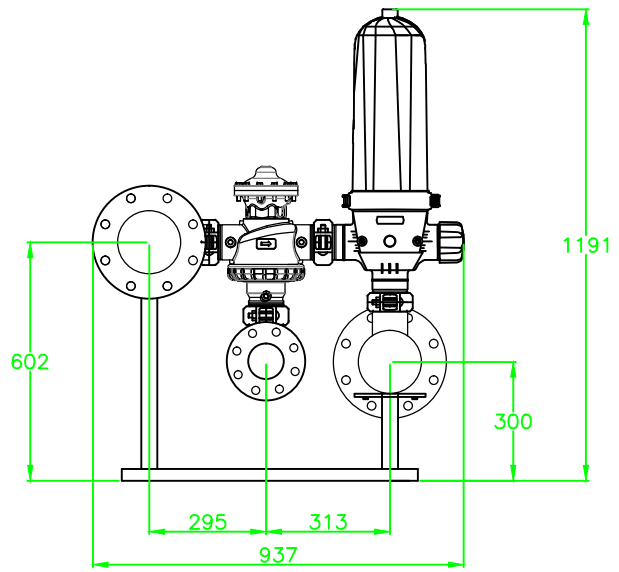
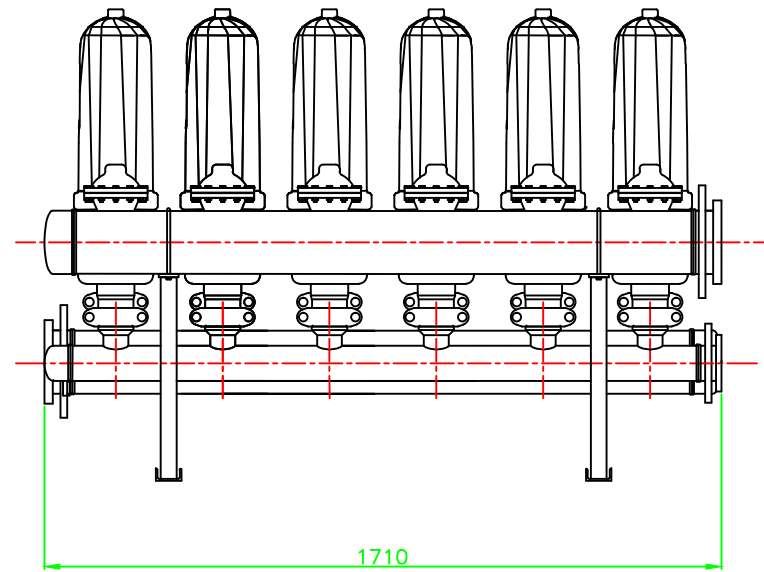


1 2 3 4 5 6

A

A

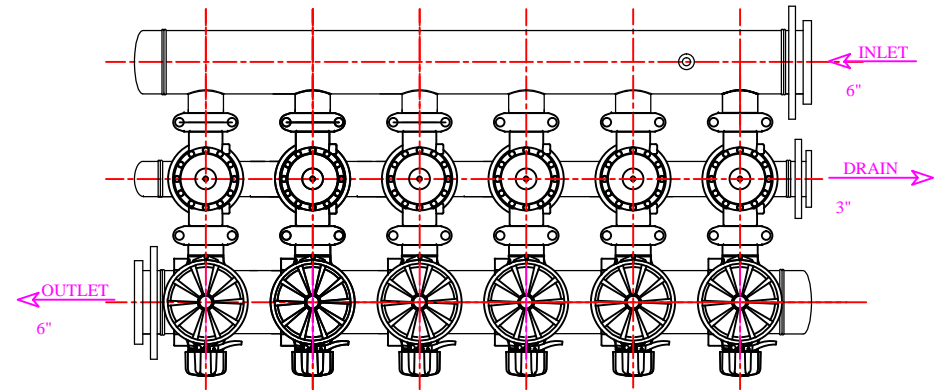


B

B

C

C



NOTES:

1. PIPING MATERIAL: PE, Carbon steel st, 304.
2. CONNECTION TYPE: ANSI 150# FLANGE.
3. MANUAL VALVES SHALL BE INSTALLED AT THE INLET AND OUTLET OF THE DISC FILTER.
4. THE DRAIN PIPE SHALL BE CONNECTED TO THE DRAINAGE SYSTEM.
5. POWER SUPPLY: 220V/1PHASE/50HZ.
6. CONCRETE FOUNDATION (HEIGHT: 200MM)
7. AND EXPANSION ANCHOR BOLTS ARE SUGGESTED FOR SITE INSTALLATION.

D

D

1 2 3 4 5 6

							Beijing Haihao Technologies Co.,Ltd			
标记	处数	分区	更改文件号	签名	DATE	HF-A3-6-6 DISCFILTER	MATERIAL	QUANTITY	WEIGHT	SCALE
R	内部评审版					DWG NO	/	1		1:1
A	初步设计					HF-A03-6-00-01	SHEET		OF	
REV	DESCRIPTION	DESD	DATE	APPD	DATE	APPD	DATE			